



SERVICE GUIDE

## PASSENGER CARS

No. 66/PC

**N.S.U.**  
**PRINZ 1000**

ITEM	APPLICATION	GRADE	MILEAGE	REMARKS
<i>All capacities are refill quantities</i>				
1	Engine (5½ pints)	<b>SHELL SUPER MOTOR OIL</b> or <b>SHELL X-100 20W</b>	Daily 4,500 (see below)	Top up if necessary Drain and flush, wash oil screen in Petrol, dry, replace, refill
2	Gearbox and Differential (2½ pints)	<b>SHELL SPIRAX 80 EP</b>	4,500 9,000	Top up if necessary Drain, flush and refill
3	Steering—Swivel Pins	<b>SHELL RETINAX A</b>	4,500*	Gun 2—fittings
4	Wheel Bearings	<b>SHELL RETINAX A</b>	13,500	Remove hub caps, clean, repack, replace
5	Fuel Filter	—	4,500	Remove screen, wash in petrol, replace
6	Oil Filter	—	4,500	Renew element
7	Air Cleaner	<b>SHELL X-100 20W</b>	4,500**	Remove, wash in petrol, dry, dip in oil, drain, replace
8	Brake Fluid Supply Tank	—	4,500	Top up if necessary with recommended Brake Fluid

\*Every 1,500 miles when driving on dusty roads

\*\*Weekly when driving on dusty roads

**Crankcase Oil Drain Intervals—Manufacturer's Recommendations:** The engine oil should be changed after every 4,500 miles (7,500 km.) if the car is used in the normal manner. Frequent short journeys in city traffic during the winter months make exceptional demands on the engine oil which should, therefore, be changed just before the onset of winter and immediately after, although the car has not travelled a further 4,500 miles in the intervening period.

For information on regular maintenance jobs other than lubrication, reference should be made to the manufacturer's instruction book.

(continued overleaf)  
2/1356

**SERVICE PERIOD SUMMARY**

FREQUENCY	ITEMS REQUIRING ATTENTION
Daily	1
1,500 miles	3
4,500 miles	1-2-3-5-6-7-8
9,000 miles	2
13,500 miles	4

**TYRES****SIZES**

5.50-12	
2 up	15 22
4 up	18 27
Fully loaded	21 27

**PRESSURES**  
(lb. sq. in.)

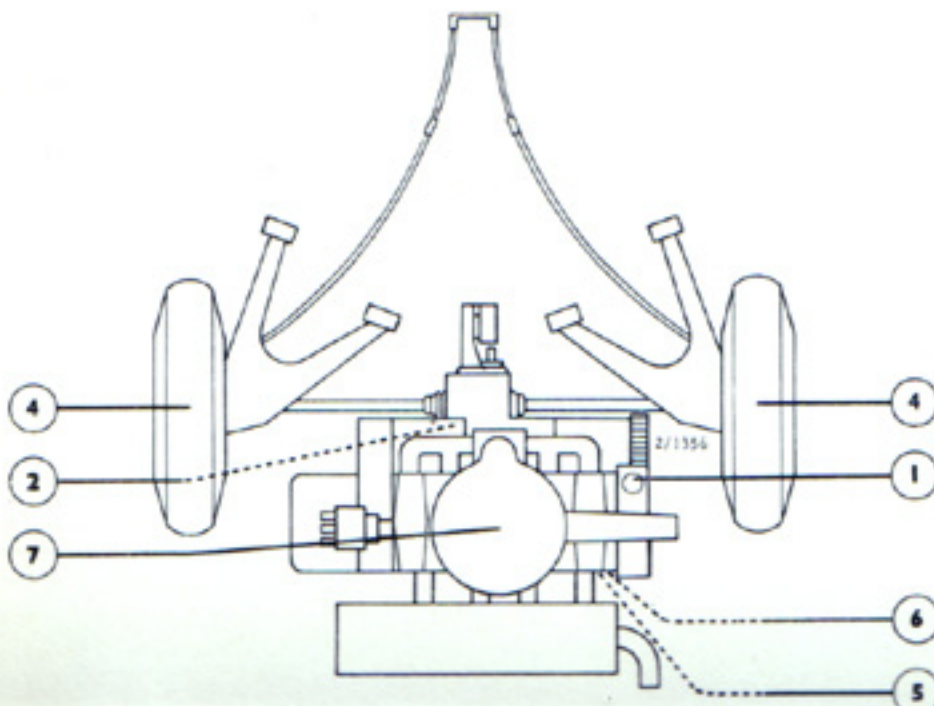
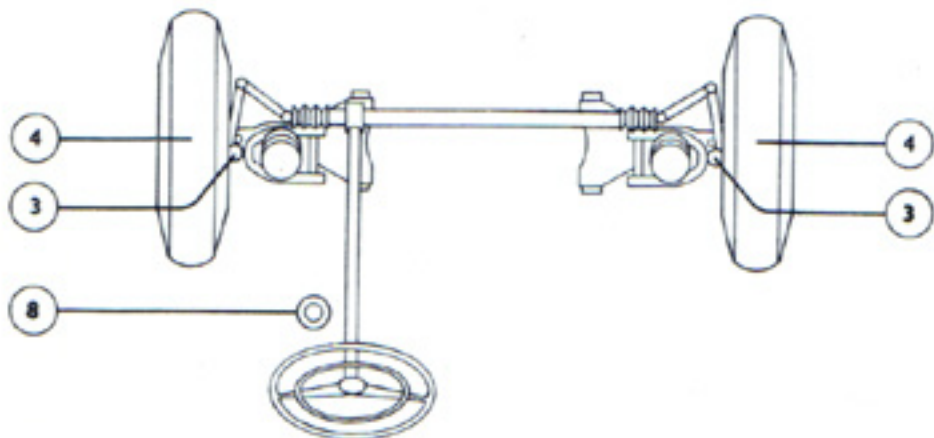
	Front	Rear
2 up	15	22
4 up	18	27
Fully loaded	21	27

**ENGINE ADJUSTMENTS**

<b>Valve Clearances (cold)</b>	
Inlet and Exhaust	.....008"
Contact Breaker Points Gap	.....014"
Spark Plug Gap	.....028"

**APPROXIMATE CAPACITY**  
(Imperial measure)

Fuel Tank	.....8 gallons
-----------	----------------



**N.S.U.**  
**PRINCE 1000, 1000 TT Type II O**

## SERVICE GUIDE

THE ENGINE OIL LEVEL SHOULD BE CHECKED REGULARLY

ITEM	APPLICATION	GRADE	REMARKS
<i>All capacities are refill quantities</i>			
<b>Every 4,500 Miles</b>			
A1	Engine	SHELL SUPER MOTOR OIL	Drain and flush, wash oil screen in petrol, dry, replace, refill†
A2	Gearbox and Differential	SHELL SPIRAX 80 EP	Top up if necessary
A3	Steering Swivel Pins*	SHELL RETINAX A	Gun—2 fittings
A4	Fuel Filter	—	Remove screen, wash in petrol, dry, replace
A5	Oil Filter	—	Renew element
A6	Air Cleaner**	SHELL SUPER MOTOR OIL	Remove, wash in petrol, dry, dip in oil, drain, replace
A7	Brake Fluid Supply Tank	—	Top up if necessary with recommended brake fluid

**Every 9,000 Miles—All items listed in Section A except item A2, plus:-**

B1	Gearbox and Differential	SHELL SPIRAX 80 EP	Drain, flush and refill
----	--------------------------	--------------------	-------------------------

**Every 13,500 Miles—All items listed in Section A, plus:-**

C1	Wheel Bearings	SHELL RETINAX A	Remove hub caps, clean, repack, replace
----	----------------	-----------------	---

\*Every 1,500 miles when driving on dusty roads.

\*\*Weekly when driving on dusty roads.

†**Crankcase Oil Drain Intervals—Manufacturer's Recommendations:** The engine oil should be changed after every 4,500 miles if the car is used in the normal manner. Frequent short journeys in city traffic during the winter months make exceptional demands on the engine oil which should, therefore, be changed just before the onset of winter and immediately after, although the car has not travelled a further 4,500 miles in the intervening period.

For information on regular maintenance jobs other than lubrication, reference should be made to the manufacturer's instruction book.

(continued overleaf)  
3/1022

### ENGINE ADJUSTMENTS

Valve Clearances (cold)	
Inlet and Exhaust.....	-.008"
Contact Breaker Points Gap .....	-.014"
Spark Plug Gap .....	-.028"

### APPROXIMATE CAPACITIES

(Imperial measures)

Engine .....	5½ pints
Gearbox and Differential.....	3½ pints
Fuel Tank 1000 .....	8½ gallons
110 .....	9½ gallons

### TYRES

SIZE

5-50 x 12

2 up

4 up

Fully Loaded

### PRESSURES

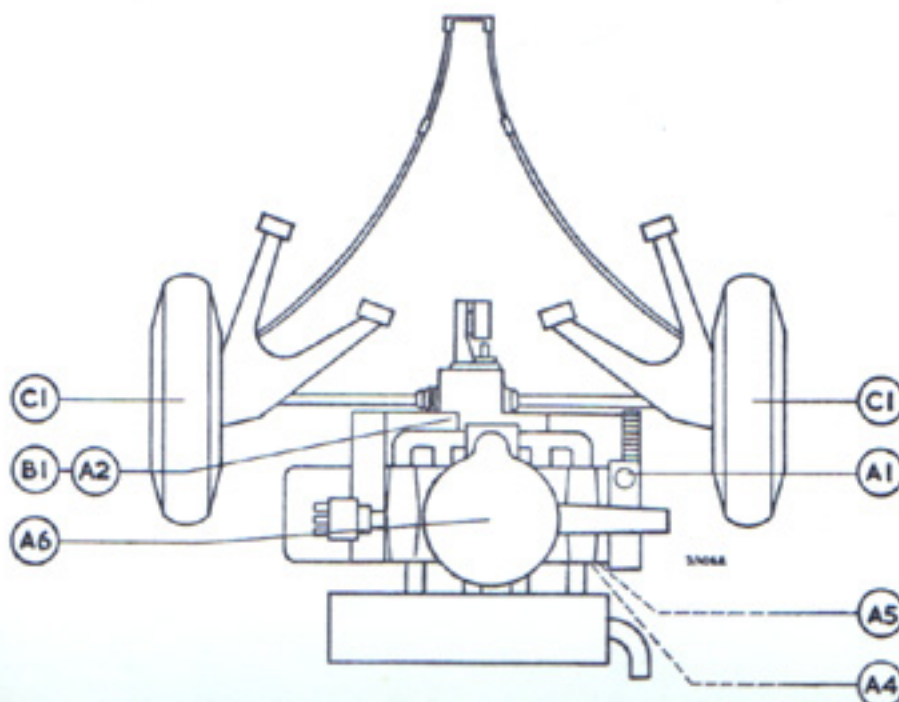
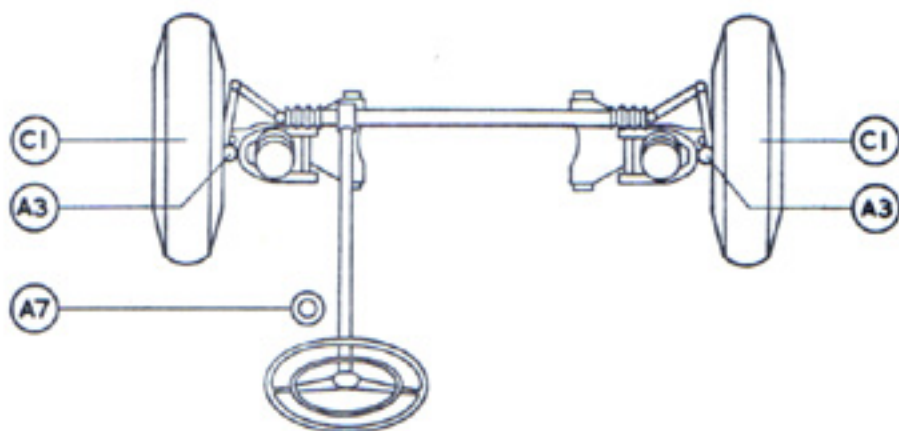
Front Rear

lb. (sq. in.)

15 22

18 27

21 27





# N. S. U.

## PRINZ I, II and III

### SPORT-PRINZ and PRINZ 30

## SERVICE GUIDE

ITEM	APPLICATION	GRADE	MILEAGE	REMARKS
<i>All capacities are refill quantities</i>				
1	Engine, Gearbox and Final Drive (3½ or 4½ pints)	SHELL X-100 20W or SHELL X-100 MULTIGRADE 10W/30	Daily 4,500*	Top up if necessary Drain and flush, wash oil screen in petrol, dry, replace, refill
2	Steering—Swivel Pins	SHELL RETINAX A	4,500***	Gun—2 fittings
3	Clutch Operating Shaft (where lubricator provided)	SHELL RETINAX A	4,500***	Gun—1 fitting
4	Wheel Bearings	SHELL RETINAX A	14,400	Remove hub caps, clean, repack, replace
5	Fuel Filter	—	7,200	Remove screen, wash in petrol, replace
6	Oil Filter	—	4,500†	Renew element
7	Air Cleaner	—	4,500**‡	Remove element, clean with compressed air, replace
8	Steering Gearbox	SHELL RETINAX A	7,200‡ 28,800	Renew element Refill
9	Brake Fluid Supply Tank	—	4,500	Top up if necessary with recommended brake fluid

\*Initially after first 300, 900 and 2,400 miles

\*\*Initially after first 900 and 2,400 miles

\*\*\*Every 1,200 miles under arduous conditions

†Initially after first 300 and 2,400 miles ‡More often under dusty conditions

For information on regular maintenance jobs other than lubrication,  
reference should be made to the manufacturer's instruction book.

## SERVICE PERIOD SUMMARY

FREQUENCY	ITEMS REQUIRING ATTENTION
Daily	1
4,500 miles	1-2-3-6-7-9
7,200 miles	5-7
14,400 miles	4
28,800 miles	8

## ENGINE ADJUSTMENTS

Valve Clearances (cold)	
Inlet and Exhaust.....	-.004"
Contact Breaker Points Gap .....	-.014"
Spark Plug Gap .....	-.028"

APPROXIMATE CAPACITIES  
(Imperial measure)

Fuel tank ..... 5½ galls.

## TYRES

SIZE	PRESSURES (lb. sq. in.)	
	Front	Rear
4.40 x 12		
2 passengers	19	21
4 passengers	21	24



SERVICE GUIDE

## PASSENGER CAR

No. X959  
(2nd REVISION)**N. S. U.  
PRINZ 4**

ITEM	APPLICATION	GRADE	MILEAGE	REMARKS
<i>All capacities are refill quantities</i>				
1	Engine, Gearbox and Final Drive (3½ or 4½ pints)	<b>SHELL X-100 MULTIGRADE 10W/30 or SHELL X-100 20W</b>	Daily 4,500*	Top up if necessary Drain and flush, wash oil screen in petrol, dry, replace, refill
2	Steering Swivel Pins	<b>SHELL RETINAX A</b>	4,500**	Gun—2 fittings
3	Fuel Filter	—	9,000	Remove screen, wash in petrol, replace
4	Oil Filter	—	4,500***	Renew element
5	Air Cleaner—dry type	—	4,500†	Remove element, clean with compressed air, replace
	—oil bath type	<b>AS FOR ENGINE</b>	9,000† 4,500***†	Renew element Remove, wash in petrol, dry, refill to oil level mark, replace
6	Steering Gearbox	<b>SHELL RETINAX A</b>	36,000	Refill
7	Brake Fluid Supply Tank	—	4,500	Top up if necessary with recommended brake fluid

\*Initially after first 300, 900 and 3,000 miles. \*\*Every 1,500 miles under arduous conditions.

\*\*\*Initially after first 300 and 3,000 miles. †More often in dusty conditions.

For information on regular maintenance jobs other than lubrication,  
reference should be made to the manufacturer's instruction book.**SERVICE PERIOD SUMMARY**

FREQUENCY	ITEMS REQUIRING ATTENTION
Daily	1
4,500 miles	1-2-4-5-7
9,000 miles	3-5
36,000 miles	6

**ENGINE ADJUSTMENTS**

Valve Clearances (cold)	
Inlet and Exhaust.....	.004"
Contact Breaker Points Gap .....	.014"
Spark Plug Gap .....	.028"

**APPROXIMATE CAPACITIES**  
(Imperial measure)

Fuel Tank .....8½ galls.

**TYRES**

SIZE	PRESSURES (lb. sq. in.)	
	Front	Rear
4.80 x 12		
2 passengers	17	21
4 passengers	24	24

